

ALUMINUM
WINDOWS

T325 Series

3-1/4" Thermally-Broken Single-Hung Window



The D8 Aluminum T325 Series Thermally-Broken Window is a commercial single-hung window that combines exceptional performance and great value. This aesthetically pleasing system has a deep trough sill for superior water performance and comes with a wide range of options including blast-resistant and hurricane performance.

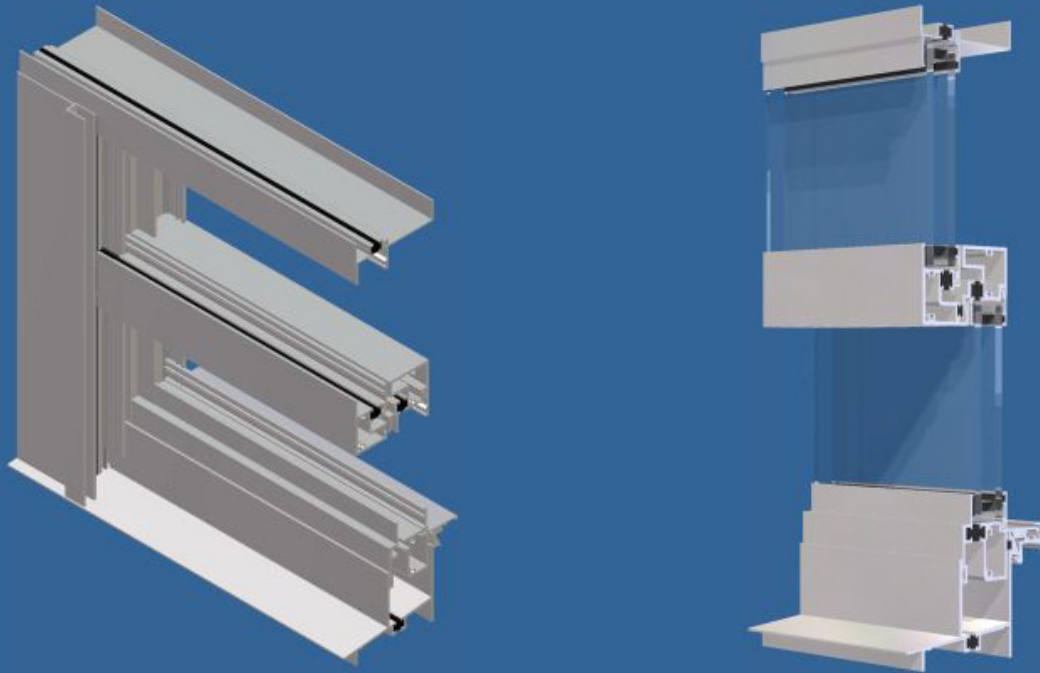
The T325 Series Thermally-Broken Single-Hung Window has been tested in accordance with AAMA/WDMA/CSA/101/I.S.2/A440-08 (NAFS-08). It comes in a wide variety of custom painted and anodized finishes. It also comes with an industry standard factory warranty.

FEATURES	RESULTS
Aluminum system	Sleek profile, long-lasting strength and durability
Blast rated	Engineered to meet DOD/GSA blast criteria
Hurricane rated	Engineered to meet ASTM 1886/ASTM 1996
3-1/4" depth	Delivers structural integrity to accommodate design requirements
Thermally broken	Enhanced energy efficiency
Class-5 balances	Smooth, efficient single-hung functionality
Complete factory assembly	Ultimate quality control
Custom painted and anodized finishes	Wide variety of finishes to accommodate design specifications and customer needs

ALUMINUM
WINDOWS

T325 Series

3-1/4" Thermally-Broken Single-Hung Window



PERFORMANCE DATA

Air @ 6.24 PSF | Per ASTM E-283 <0.3 cfm/SF

Water | Per ASTM E-331 12 psf

U-Value | Per NFRC-100 0.43 - 0.63

