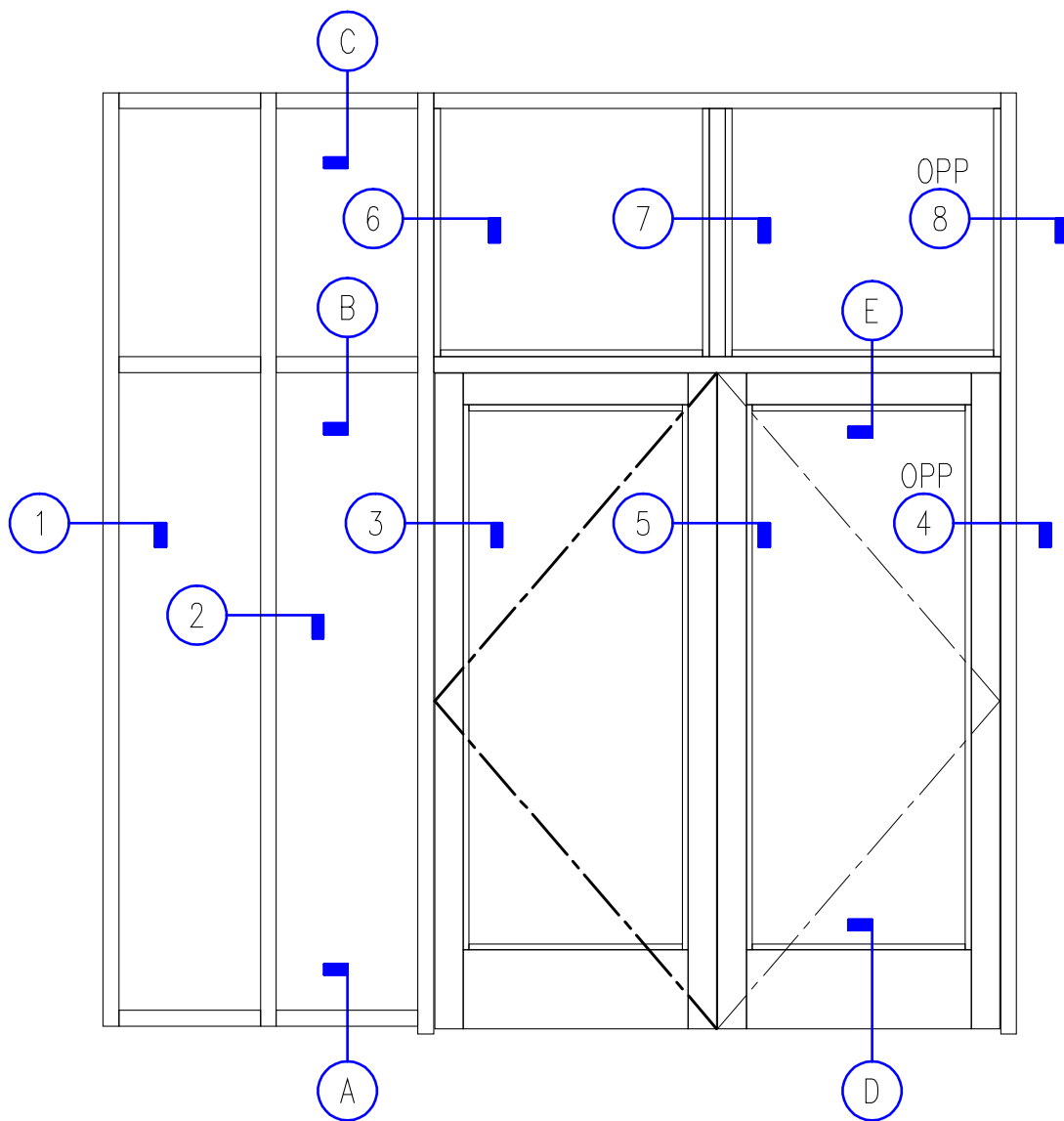


ALUMINUM
STOREFRONT

T2650 Series

2" x 6-1/2" Thermally-Broken Front Set Storefront

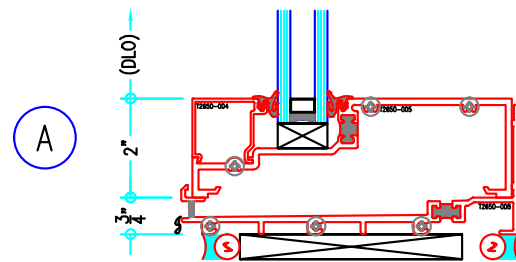
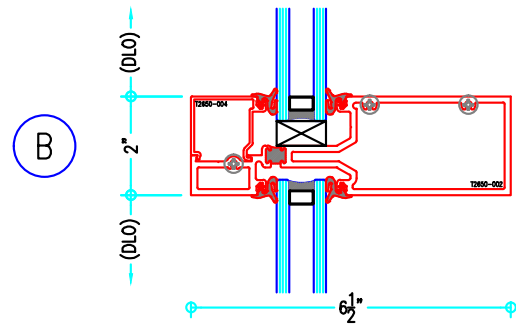
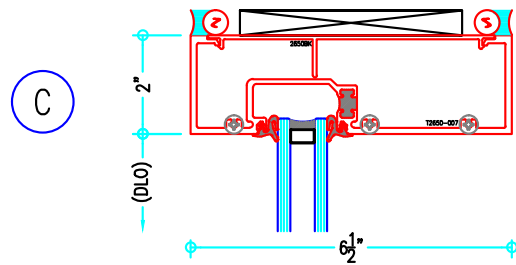
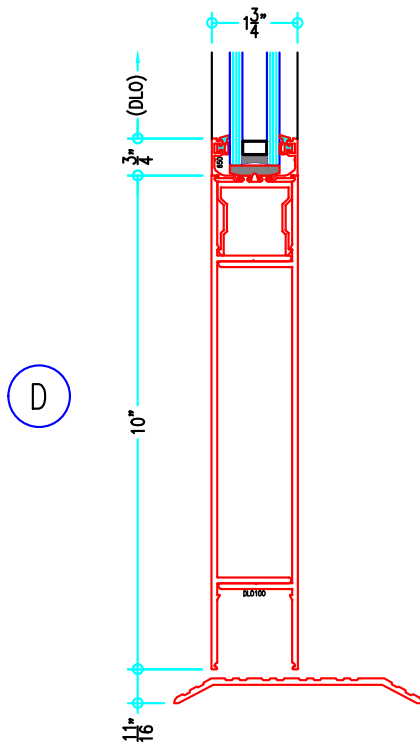
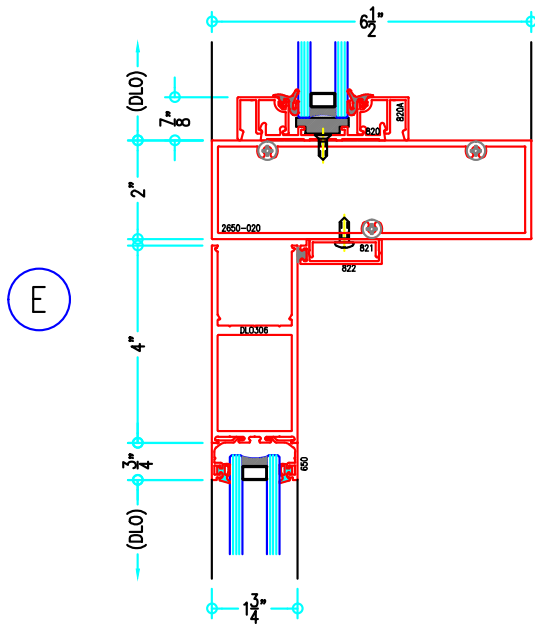


T2650 with 400
Entrance Incorporated

ALUMINUM
STOREFRONT

T2650 Series

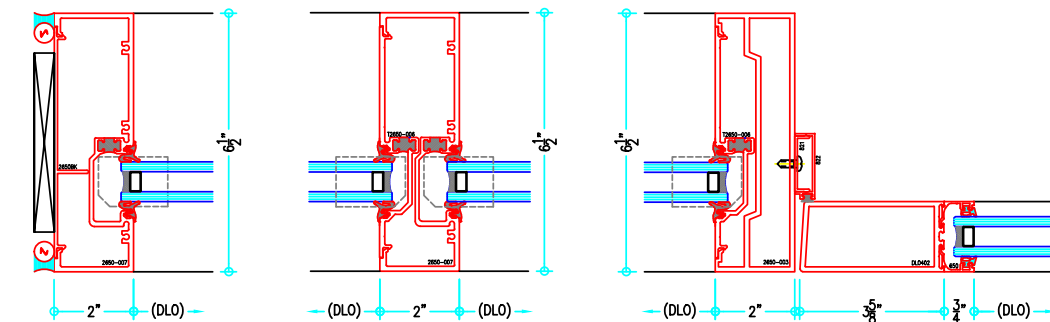
2" x 6-1/2" Thermally-Broken Front Set Storefront



ALUMINUM
STOREFRONT

T2650 Series

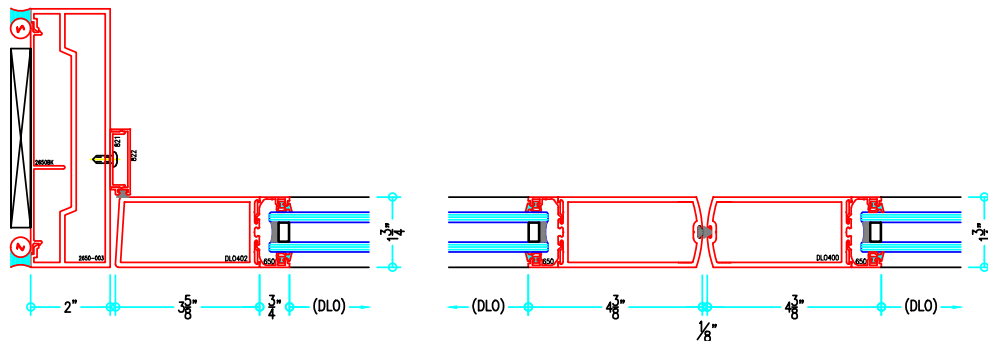
2" x 6-1/2" Thermally-Broken Front Set Storefront



1

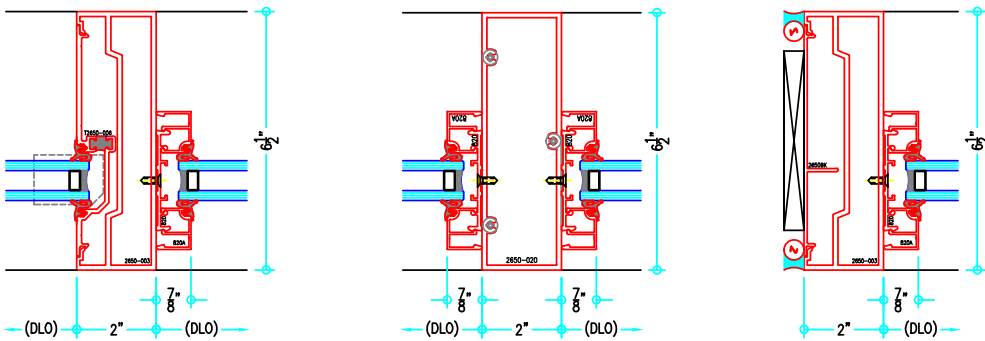
2

3



4

5



6

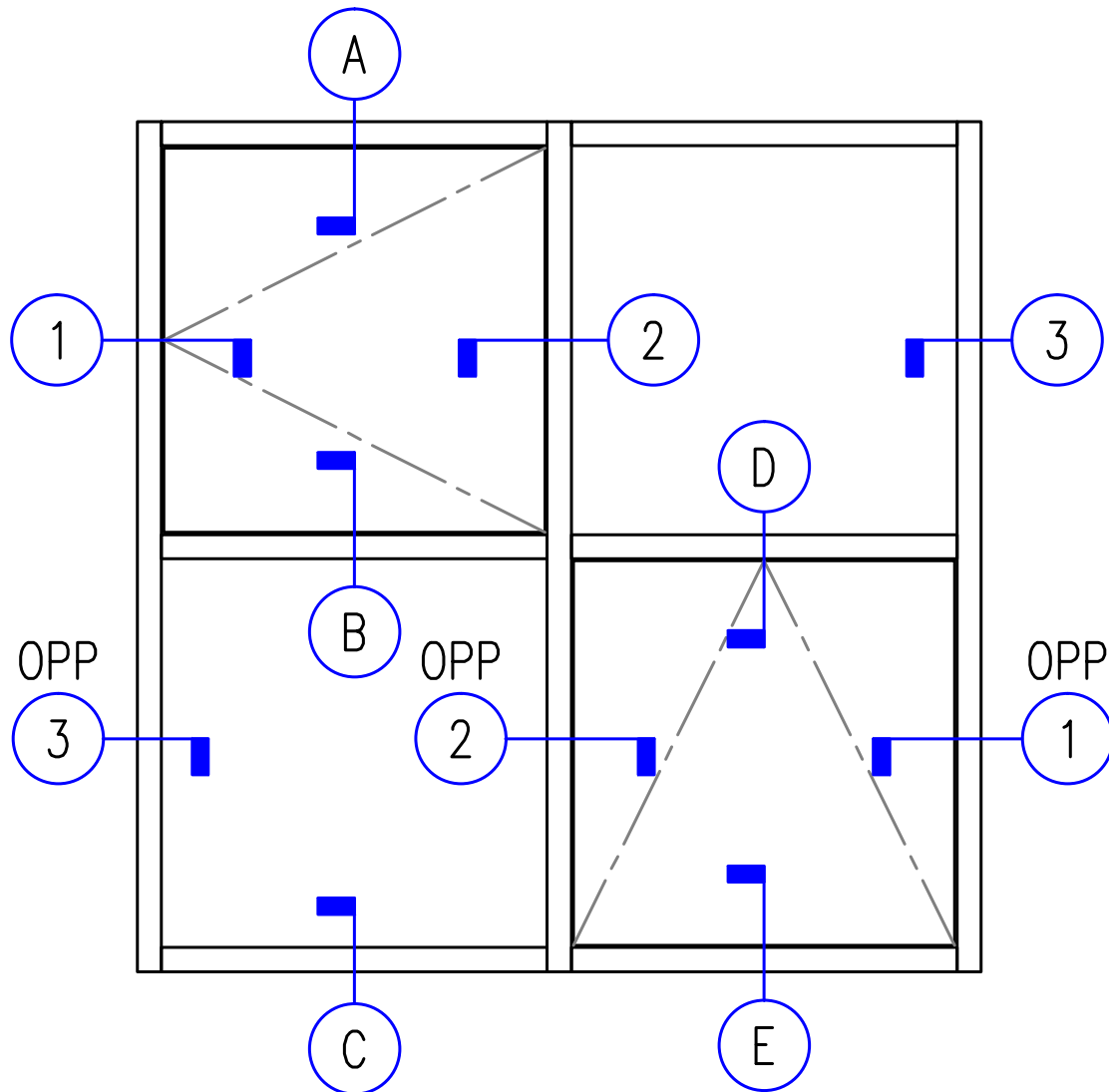
7

8

ALUMINUM
STOREFRONT

T2650 Series

2" x 6-1/2" Thermally-Broken Front Set Storefront

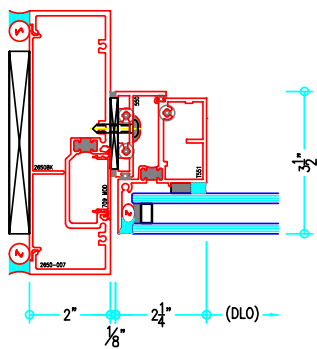


T2650 with T550
Inviso Vent Insert

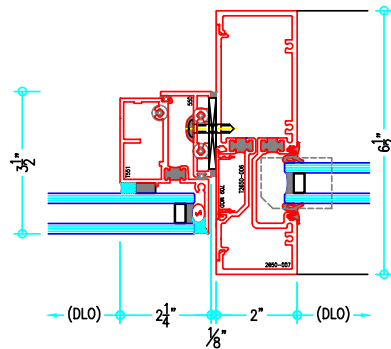
ALUMINUM
STOREFRONT

T2650 Series

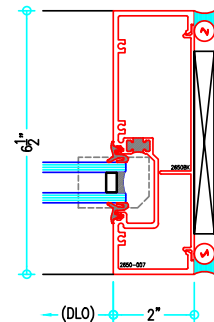
2" x 6-1/2" Thermally-Broken Front Set Storefront



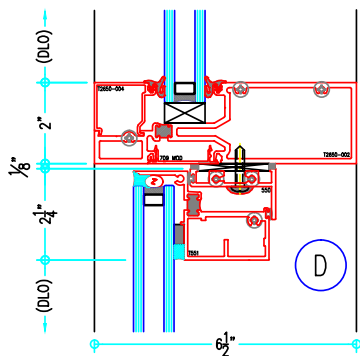
1



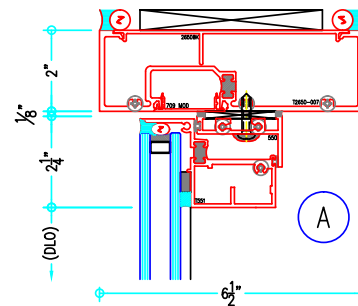
2



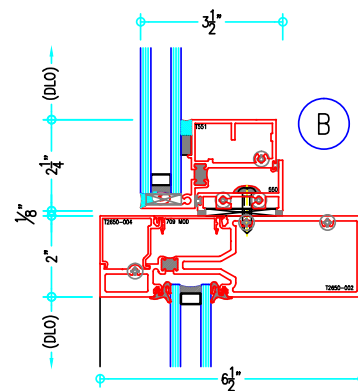
3



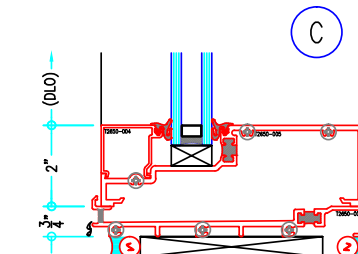
D



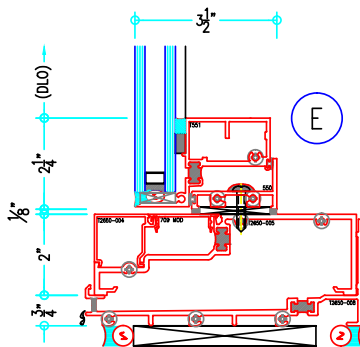
A



B



C

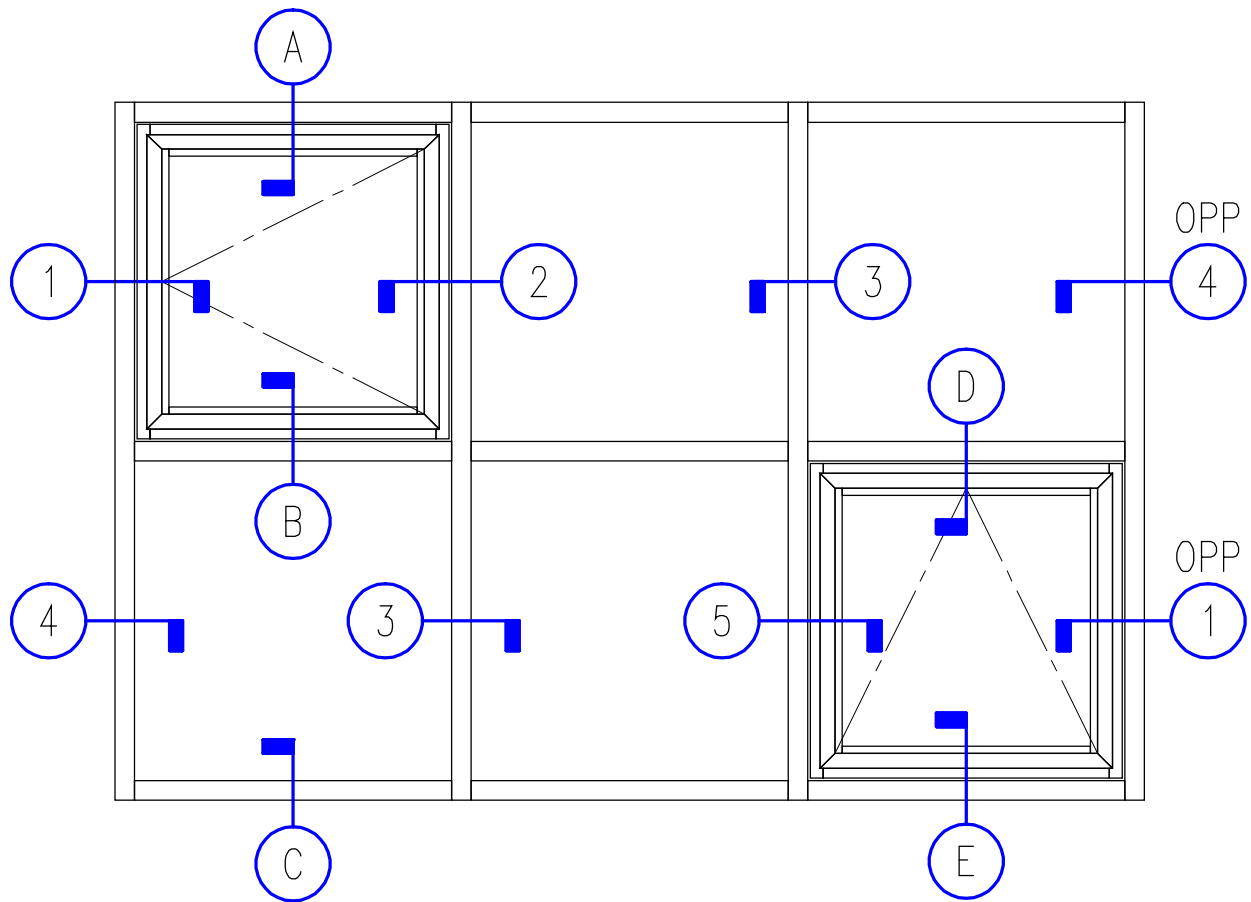


E

ALUMINUM
STOREFRONT

T2650 Series

2" x 6-1/2" Thermally-Broken Front Set Storefront

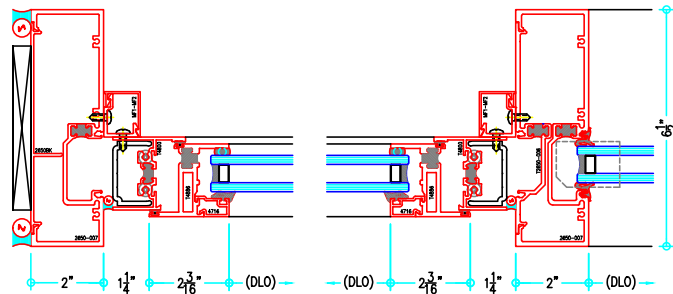


T2650 with T4000
2" Window Incorporated

ALUMINUM
STOREFRONT

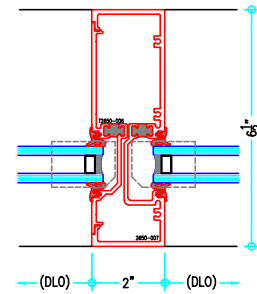
T2650 Series

2" x 6-1/2" Thermally-Broken Front Set Storefront

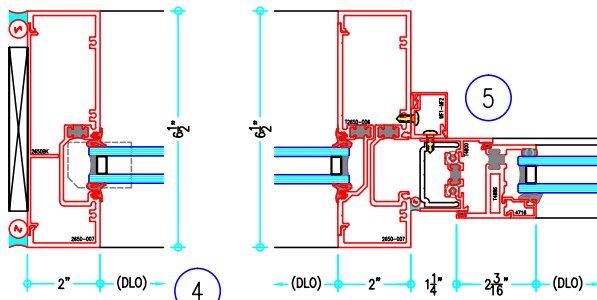


1

2

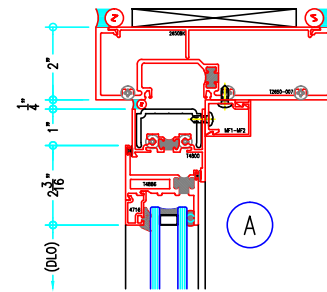


3

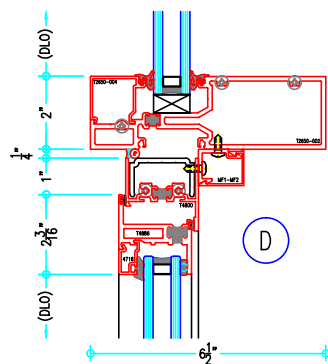


4

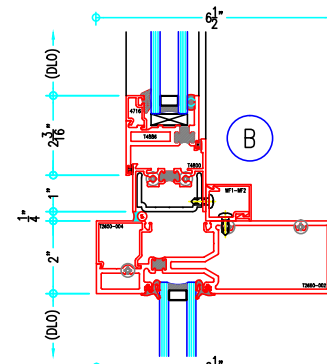
5



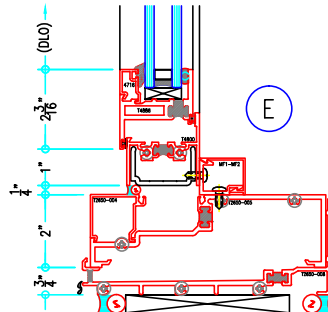
A



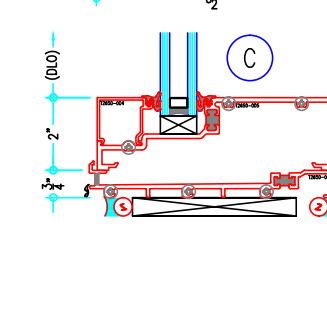
D



B



E

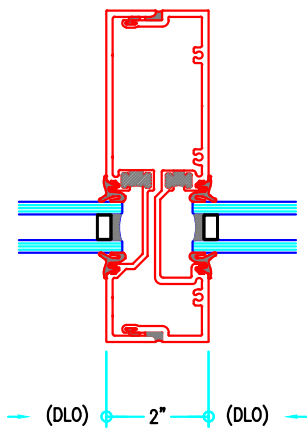


C

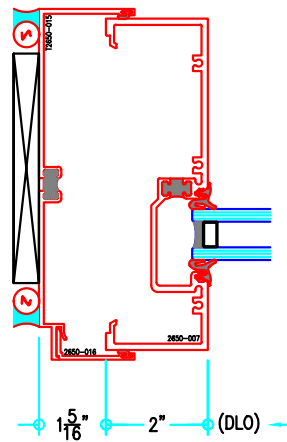
ALUMINUM
STOREFRONT

T2650 Series

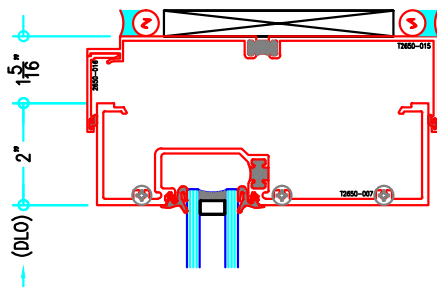
2" x 6-1/2" Thermally-Broken Front Set Storefront



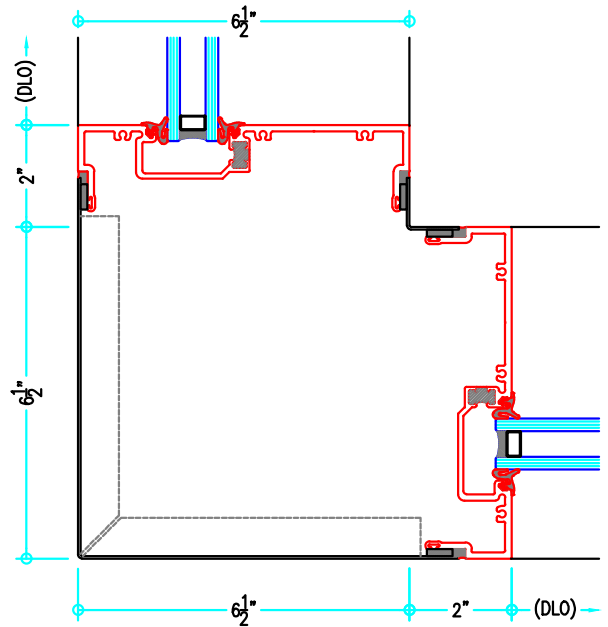
SPLIT-MULL OPTION



JAMB COMP OPTION



HEAD COMP OPTION



CORNER OPTION

Options